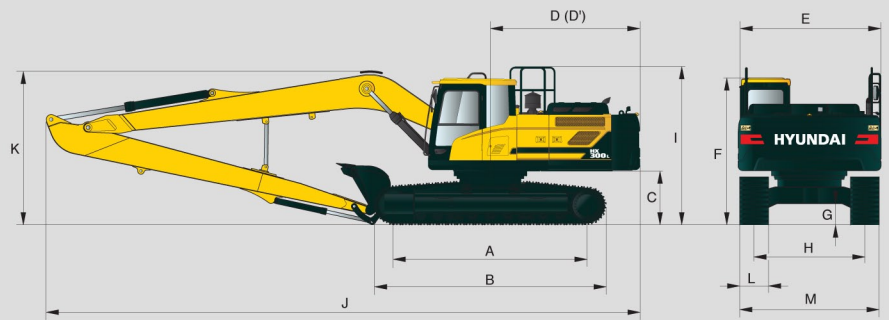


HYUNDAI HX300 LRE

18.5m Long Reach Excavator

60t+ longreaches available | Up to 25m outreach | 2D & 3D machine control | Various attachments available

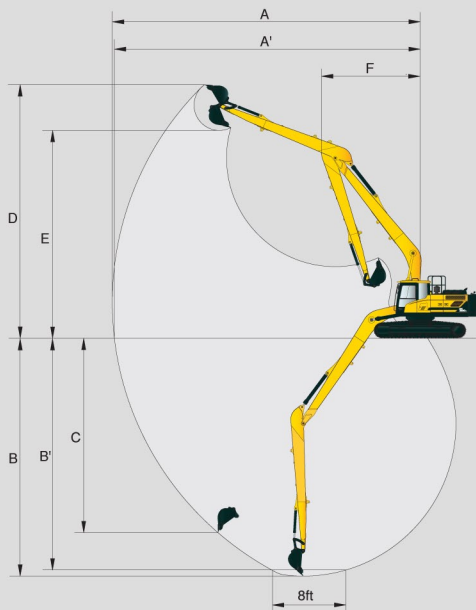


Unit : mm (ft-in)

A	Tumbler distance	4,030 (13' 3")
B	Overall length of crawler	4,940 (16' 2")
C	Ground clearance of counterweight	1,190 (3' 11")
D	Tail swing radius	3,210 (10' 5")
D'	Rear-end length	3,120 (10' 3")
E	Overall width of upperstructure	2,980 (9' 9")
F	Overall height of cab	3,030 (9' 11")
G	Min. ground clearance	500 (1' 8")
H	Track gauge	2,600 (8' 6")
I	Overall height of guardrail	3,340 (10' 11")

	Boom length	10,200 (33' 6")
	Arm length	7,850 (25' 9")
J	Overall length	14,560 (47' 9")
K	Overall height of boom	3,560 (11' 8")
L	Track shoe width	800 (31' 5")
M	Overall width	3,400 (11' 2")

Unit : mm (ft-in)



	Boom length	10,200 (33' 6")
	Arm length	7,850 (25' 9")
A	Max. digging reach	18,510 (60' 9")
A'	Max. digging reach on ground	18,400 (60' 4")
B	Max. digging depth	14,820 (48' 7")
B'	Max. digging depth (8' level)	14,690 (48' 2")
C	Max. vertical wall digging depth	12,020 (39' 5")
D	Max. digging height	14,500 (47' 7")
E	Max. dumping height	12,190 (40' 0")
F	Min. front swing radius	6,250 (20' 6")